

**360 Degree Pendant Nozzle Data Sheet for use with
Kidde ECS-500™ with FK-5-1-12 Agent and
Kidde ECS™ with 3M™ Novec™ 1230 Fire Protection Fluid**

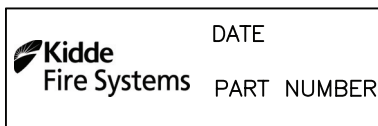
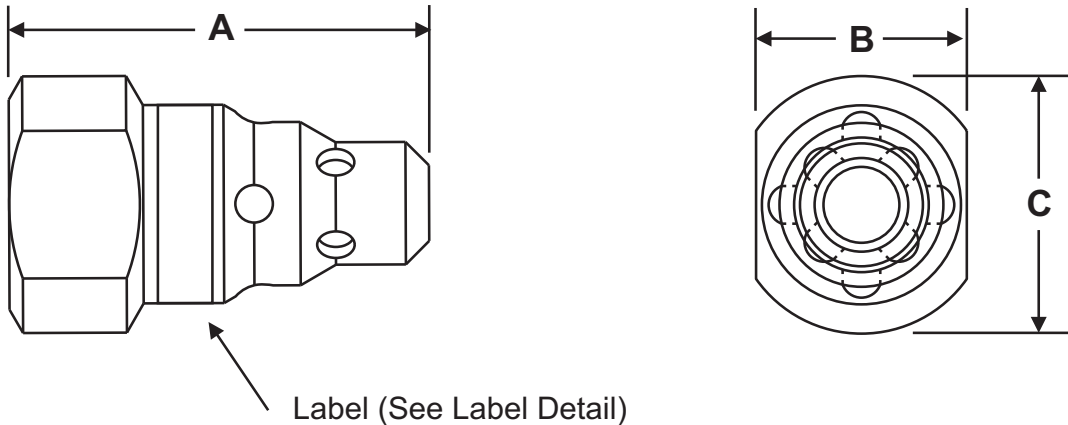
Effective: March 2018
K-45-2140

FEATURES

- UL Listed, ULC Listed, and FM Approved for use with the FK-5-1-12 systems listed in the Table , “COMPATIBILITY,” on page 2.
- Nozzles can be mounted upright or pendent.

P/N: 45-1946XX-XXX (Stainless Steel)

P/N: 45-1947XX-XXX (Brass)



LABEL DETAIL

Note: A selection of orifices are available for each nozzle size and make. Consult the appropriate DIOM featured in the Table , “COMPATIBILITY,” on page 2 for details.

Nozzle Size	Dimension		
	A	B	C
1/4 in. (6 mm)*	1.91 in. (49 mm)	1.03 in. (26 mm)	0.88 in. (22 mm)
3/8 in. (10 mm)*	2.03 in. (52 mm)	1 in. (25 mm)	1.19 in. (30 mm)
1/2 in. (13 mm)	2.25 in. (57 mm)	1.13 in. (29 mm)	1.38 in. (35 mm)
3/4 in. (19 mm)	2.69 in. (68 mm)	1.38 in. (35 mm)	1.63 in. (41 mm)
1 in. (25 mm)	2.88 in. (73 mm)	1.63 in. (41 mm)	1.94 in. (49 mm)
1-1/4 in. (32 mm)	3.29 in. (83 mm)	2 in. (51 mm)	2.38 in. (60 mm)
1-1/2 in. (38 mm)	3.63 in. (92 mm)	2.25 in. (57 mm)	2.69 in. (68 mm)
2 in. (51 mm)	4.50 in. (114 mm)	3 in. (76 mm)	3.50 in. (89 mm)

Note: * Nozzles Sizes marked with an * are not UL Listed or FM Approved.

COMPATIBILITY

Series	DIOM P/N
Kidde ECS-500™ psi with FK-5-1-12 Agent	06-237585-001
Kidde ECS™ with 3M™ Novec™ 1230 Fire Protection Fluid	06-236553-001
Kidde Marine with 3M™ Novec™ 1230 Fire Protection Fluid	06-236559-001

EXPORT INFORMATION (USA)

Jurisdiction: EAR

Classification: EAR99

This document contains technical data subject to the EAR.

All trademarks are the property of their respective owners.

This literature is provided for informational purposes only. KIDDE-FENWAL, INC. believes this data to be accurate, but it is published and presented without any guarantee or warranty whatsoever. KIDDE-FENWAL, INC. assumes no responsibility for the product's suitability for a particular application. The fire suppression system design, installation, maintenance, service and troubleshooting must be performed by trained, authorized Kidde Fire Systems distributors for the product to work correctly. If you need more information on this product, or if you have a particular problem or question, contact: KIDDE-FENWAL, INC., Ashland, MA 01721 USA, Telephone: (508) 881-2000.

