

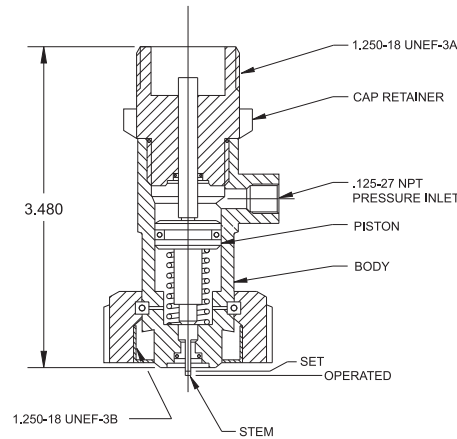
Component Description

Pressure Operated Control Head, Stackable Data Sheet

FEATURES

- UL, ULC and FM Approved for use with systems listed below in the Table, “COMPATIBILITY” below.
- RoHS compliant

P/N: 82-878750-000



MATERIALS

Body, Retaining Cap, Piston and MTG. Nut: Brass
Spacer: Brass

COMPATIBILITY

Series	DIOM P/N	Supplement P/N
Kidde ECS 500 psi with FK-5-1-12 Agent	06-237585-001	N/A
Kidde ECS with 3M™ Novec™ 1230 Fire Protection Fluid	06-236553-001	N/A
Kidde ADS with 3M™ Novec™ 1230 Fire Protection Fluid	06-237256-001	N/A
Kidde Marine with 3M™ Novec™ 1230 Fire Protection Fluid	06-236559-001	N/A
Kidde ADS Marine with 3M™ Novec™ 1230 Fire Protection Fluid	06-237257-001	N/A
Kidde ECS with HFC-227ea Agent	06-236115-001	06-236115-003
Kidde Modular ECS with HFC-227ea Agent	06-236116-001	06-236116-002
Kidde ADS with HFC-227ea Agent	06-236068-001	06-236068-003
Kidde ECS Marine with HFC-227ea Agent	06-236225-001	N/A
Kidde ADS Marine with HFC-227ea Agent	06-236595-001	N/A
Kidde High Pressure CO ₂	81-C02MAN-001	N/A
Kidde Fire Systems Marine Carbon Dioxide Version 2.4 DIOM	220610	N/A
Kidde FE-13™ Engineered Suppression System	06-236169-002	06-236169-003
Kidde FE-13™ Modular Engineered Suppression System	06-236193-001	06-236193-002
Kidde 3M™ Novec™ 1230 (for UTC India Specifications)	06-237127-600	06-237127-601
Kidde ECS with FM-200™ (for UTC India Specifications)	06-237298-001	06-237298-002

Note: Agency listings also apply to the Fenwal Engineered Fire Suppression Systems, when the Control Head Monitor is used on these legacy product lines.

SPACER, P/N 85-100000-002 (Optional)

To comply with NFPA 2001 (2012 ed.), all electric control heads must be under placement supervision such that, if an electric actuator is removed, an audible and visual signal will be initiated at the control panel indicating system impairment. To accomplish this, Kidde is offering a Control Head Monitor suitable for mounting between the electric control head and the corresponding valves or stackable control head, including the Stackable Pressure Operated Control Head. Please note, a spacer P/N 85-100000-002 must be purchased separately.

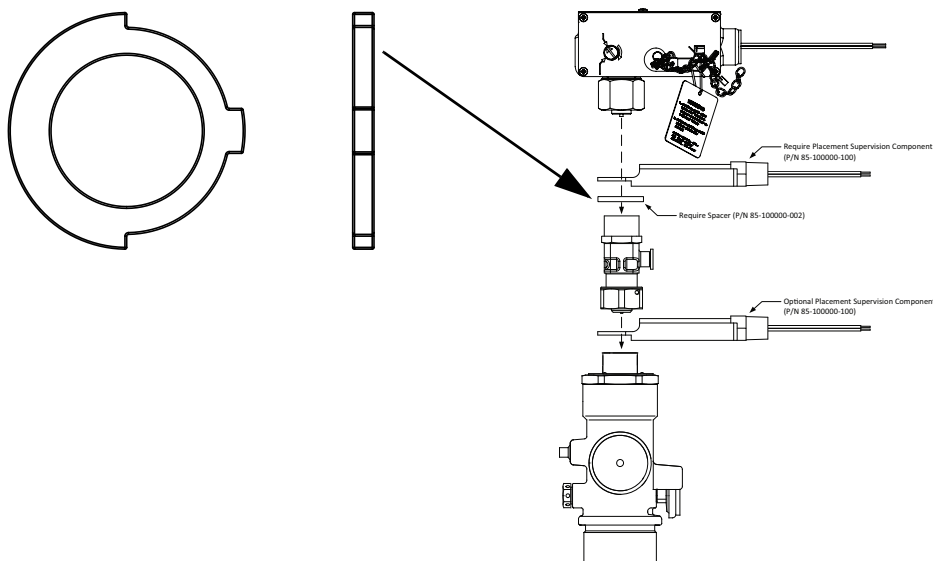


Figure 1. Pressure Operated Control Head and Spacer Order of Assembly

ORDER INFORMATION

Part Number	Description
82-878750-000	Pressure Operated Control Head, Stackable
85-100000-002	Spacer, required when installing Control Head Monitor (P/N 85-100000-002) on to Stackable Pressure Operated Control Head

EXPORT INFORMATION (USA)

Jurisdiction: EAR
 Classification: EAR99

This document contains technical data subject to the EAR.

All trademarks are the property of their respective owners.

This literature is provided for informational purposes only. KIDDE-FENWAL, INC. believes this data to be accurate, but it is published and presented without any guarantee or warranty whatsoever. KIDDE-FENWAL, INC. assumes no responsibility for the product's suitability for a particular application. The fire suppression system design, installation, maintenance, service and troubleshooting must be performed by trained, authorized Kidde Fire Systems distributors for the product to work correctly. If you need more information on this product, or if you have a particular problem or question, contact: KIDDE-FENWAL, INC., Ashland, MA 01721 USA, Telephone: (508) 881-2000.

